

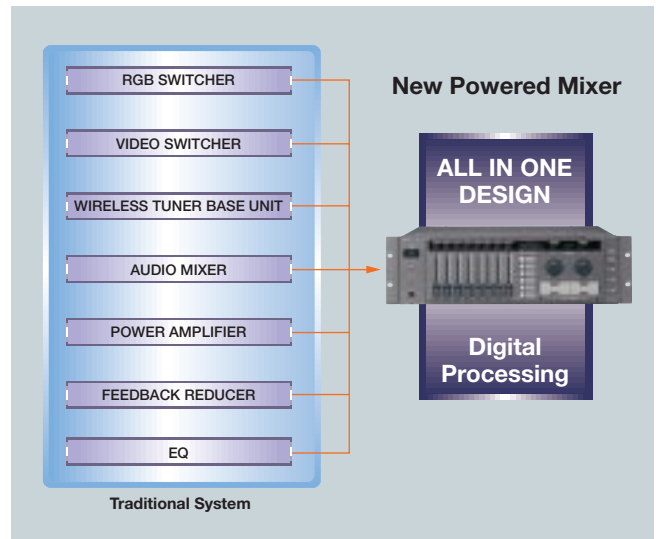
SONY®

Digital Powered Mixer **SRP-X700P**



S R P - X 7 0

The SRP-X700P Digital Powered Mixer has been designed for modern presentation systems that are required to process material from a wide range of sources including microphones, video, audio, DVD players, audio tape recorders as well as PC's. This unit integrates the functionality of seven traditional presentation devices in a compact 3U high, 19-inch rack-mountable chassis. By utilizing digital processing and control technology, the SRP-X700P offers an impressive set of features, high quality processing and ease of operation.



Multi-media switcher and audio mixer

The SRP-X700P combines a six input RGB/video switcher with a 14-channel audio mixer. The switcher matrix allows a variety of video and PC graphic sources to be routed to the presentation system while the audio mixer processes audio input from wired and wireless microphones as well as audio playback devices.

The SRP-X700P supports the following signal inputs:

- Picture inputs: 3-RGB or component, 3-Composite or S-video
 - High quality component signals including 480p and 1080i, and RGB signals with a 150MHz frequency response (1280 x 1024 pixels, SXGA)
- Audio inputs: 6 mic or line, 5 stereo and 2 surround sound (5.1 format)

Improved system efficiency

The SRP-X700P is supplied with two PC application software programs: the SRP-X700P Manager and the User Control Panel. The SRP-X700P Manager program is a 'set and forget' application, which allows the unit to be fully configured during installation by providing a complete set of control GUIs. The User Control Panel program is for simple GUI control during the presentation. Additionally, the unit offers 20 internal scene memories, four of which can be recalled from the front panel buttons and the User Control panel GUI. These scene memories allow instant reset of all control parameters to quickly change operating modes.

700P Manager Example BLOCK Screen



6-mono and 2-stereo channel audio mixing with comprehensive processing to maximize sound quality

The SRP-X700P can mix and process 6-mono (4 mic, 2 mic/line) and 2-stereo (a stereo line and the 5.1/stereo line input of the switcher) input signals to 10 outputs (8 general purpose outputs and a stereo record output). Its comprehensive audio processing, such as EQ, dynamics, routing and delay, allows the quality of the audio signals to be maximized and provides tools for correcting room acoustics.

- High quality audio A/D and D/A conversion (24-bit, 48 kHz sampling frequency)

Advanced audio processing functions - 'Feedback Reducer' and 'Automixer'.

Two special audio processing tools are included to allow 'professional quality audio' processing at the touch of a button. The 'Feedback Reducer' works by analyzing and 'nulling out' potential annoying feedback. The 'Automix' function allows the SRP-X700P to analyze, in real-time, the incoming signals and make adjustments to maintain the quality of the output.

Multiple operating modes and on-board stereo power amplifier

The SRP-X700P is equipped with a routing function which routes the input signals to its 10 outputs (8 line and 2 REC outputs). This routing function allows the SRP-X700P to offer many different operating modes to support surround sound matrix switching or 'Zoned' speaker configurations. In addition, there is an on-board 150W stereo power amplifier that can be switched between high and low impedance modes.

- Power rating 200 W + 200 W (4 Ω), 150 W + 150 W (8 Ω), Max 150 W (70V Line)

Integrated machine control interfacing

The SRP-X700P provides extensive machine control capabilities through its four Control-S ports (for wired machine control to Sony CD players, MiniDisc players and VCRs). Additionally, parallel and serial RS-232C control ports provide extensive control for sophisticated presentations.

For remote control of the SRP-X700P:

- USB, RS-232C and parallel port for control from an external PC (or other control systems).

For remote control of peripheral equipment/devices from the SRP-X700P:

- RS-232C port for remote control of Sony projectors and Sony plasma display monitors.
- Control-S ports for remote control of Sony VCRs, DVD players, CD players, MiniDisc recorders and projectors.*1
- Parallel output port for remote control of peripheral devices such as video screens (up/down), window curtains (open/close), projector (up/down), lighting (on/off), etc.*2

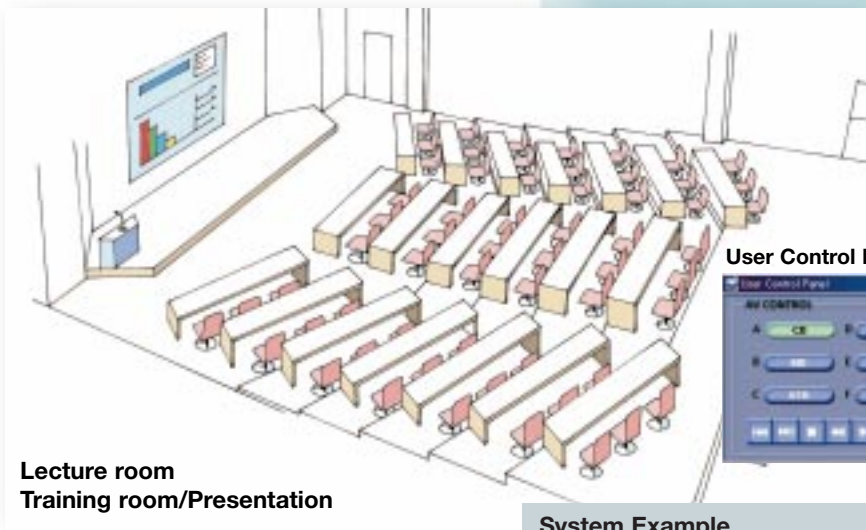
*1 When controlling a projector with the Control-S port, the projector cannot be switched between RGB and Component input mode.

*2 Requires an interface box between the SRP-X700P and external device.

Integrated wireless tuner unit slots

Up to two Sony WRU-806 wireless tuner units (optional) can be directly installed in the SRP-X700P, making it simple to integrate a high quality Sony wireless microphone system into the presentation system.





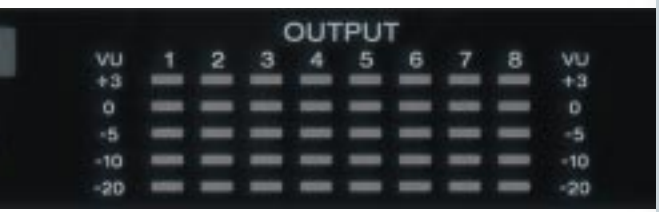
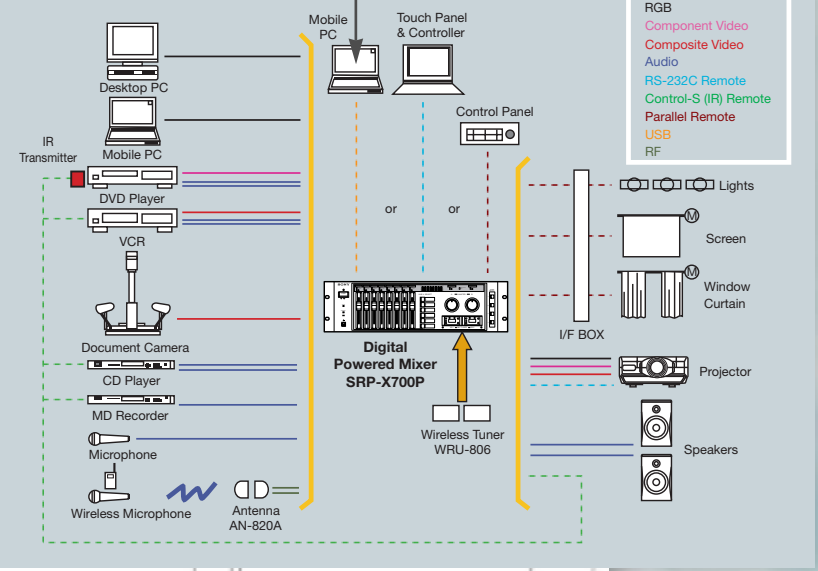
Lecture room
Training room/Presentation



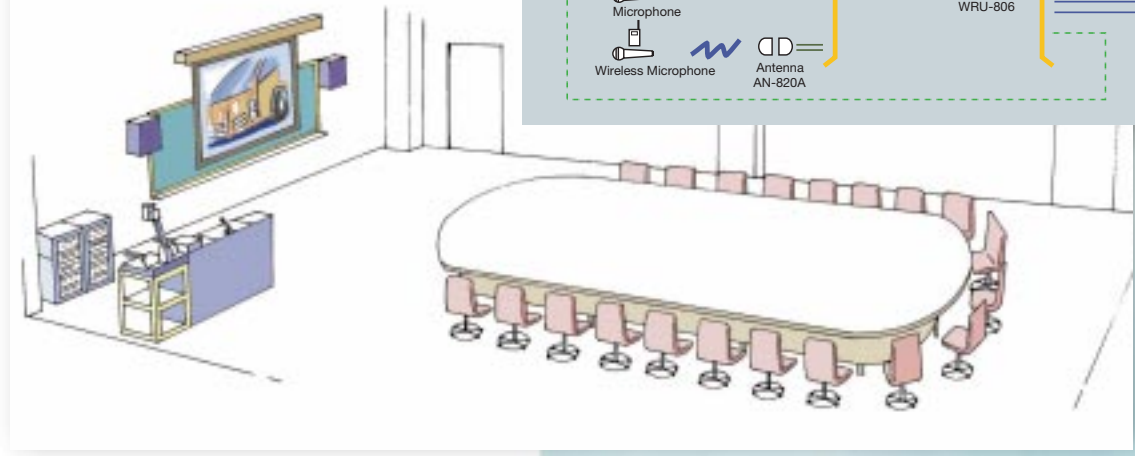
User Control Panel



System Example



Conference room
Board room/Presentation



Rear Panel



Specifications

ELECTRICAL CHARACTERISTICS

Composite Video/S-video		
Color system	NTSC/PAL/SECAM	
Frequency response	50 Hz - 10 MHz	
Level	1 Vp-p (75 Ω)	

Component Video		
Color system	NTSC/PAL/SECAM	
Frequency response	50 Hz - 150 MHz	
Level	1 Vp-p (75 Ω)	
	R-Y	0.7 Vp-p (75 Ω)
	B-Y	0.7 Vp-p (75 Ω)

RGB		
Frequency response	50 Hz - 150 MHz	
Resolution	1280 x 1024 pixels 60 Hz (SXGA)	
Level	G	0.7 Vp-p (75 Ω)
	B	0.7 Vp-p (75 Ω)
	R	0.7 Vp-p (75 Ω)
	SYNC/HD, VD	1.5 V (47 kΩ) sync positive/negative

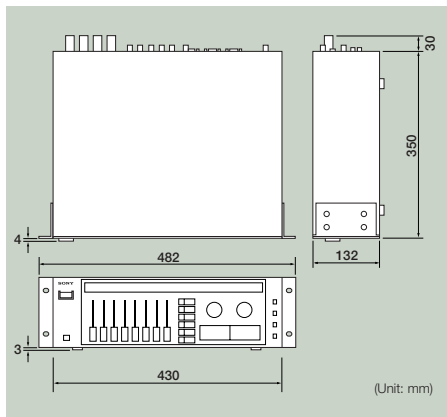
Audio (analog)		
Frequency response	Line in - Line out	20 Hz - 20 kHz
T.H.D.	Line in - Line out	Less than 0.01 % (1 kHz)
S/N ratio	Line in - Line out	More than 94 dB (IHF A)
Crosstalk	Line in - Line out	Less than -85 dB (1 kHz)

Others		
ANTENNA IN a-b	BNC x 2, DC 9 V OUT	
Microphone power supply	DC 48 V, MIC1-6 Inputs	

GENERAL

Power requirements	120/220/230 V AC 50/60 Hz	
Power Consumption	150 W	
Operating temperature	0°C to +40°C (+32°F to +104°F)	
Storage temperature	-20°C to +60°C (-4°F to +140°F)	
Dimensions	482 (W) x 132 (H) x 350 (D) mm, 3U (19 x 5 1/4 x 13 7/8 inches)	
Mass	Approx. 13 kg (28 lb 11 oz)	
Supplied Accessories	AC Power cord (1), Operating manual (1), IR Transmitter (1), Foot (4), Control software disk* (1) * Requires Microsoft® Windows® 98SE/ME/ 2000/XP	
Optional Accessories	WRU-806A/806B UHF Synthesized Tuner Unit AN-820A UHF Antenna	

Dimensions



AUDIO INPUTS/OUTPUTS

Input	Connector	Circuit	Channel	Reference/Peak Level	Impedance
MIC/WL 1, 2	XLR-3-31type	Balanced	Mono	-60 to -45 dBu/-37 to -22 dBu	more than 2.2 kΩ
MIC 3, 4	XLR-3-31type	Balanced	Mono	-60 to -45 dBu/-37 to -22 dBu	more than 2.2 kΩ
MIC 5, 6 (LINE 1, 2)	XLR-3-31type	Balanced	Mono	-60 to -45 dBu/-37 to -22 dBu -10 to +4 dBu/+10 to +24 dBu	more than 2.2 kΩ more than 10 kΩ
LINE 3	Phono x 2	Unbalanced	Stereo	-10 to 0 dBu/+10 dBu to +20 dBu	more than 10 kΩ
LINE 4 (A, B, C, F)	Phono x 2	Unbalanced	Stereo	-10 to 0 dBu/+10 dBu to +20 dBu	more than 10 kΩ
LINE 4 (D, E)	Phono x 6	Unbalanced	Stereo/ Surround	-10 to 0 dBu/+10 dBu to +20 dBu	more than 10 kΩ
Output	Connector	Circuit	Channel	Reference/Peak Level	Load impedance
LINE 1, 2	XLR-3-32type	Balanced	Mono	+4 dBu/+24 dBu	more than 600 Ω
LINE 3, 4, 5, 6, 7, 8	Phono x 1	Unbalanced	Mono	-5 dBu/+15 dBu	more than 10 kΩ
REC 1, 2	Phono x 1	Unbalanced	Mono	-5 dBu/+15 dBu	more than 10 kΩ

VIDEO/RGB INPUTS/OUTPUTS

Input	Connector	Signal Type
LINE 4 (A, B, C)	Phono x 1 4-pin Mini Din	Composite S Video
LINE 4 (D, E, F)	D-sub 15-pin	Component/RGB
Output	Connector	Signal Type
R/R-Y G/Y B/B-Y SYNC/HD VD	BNC x 5	Component/RGB
S VIDEO	4-pin Mini Din	S Video
VIDEO	BNC x 1	Composite

SPEAKER OUTPUTS

Output	Connector	Impedance	Rated Power
CH1	Screw type binding terminal x 4	4 Ω-16 Ω	150 W (8 Ω) 200 W (4 Ω)
CH2		4 Ω-16 Ω	150 W (8 Ω) 200 W (4 Ω)
70V LINE		32 Ω-10 kΩ	Max 150 W

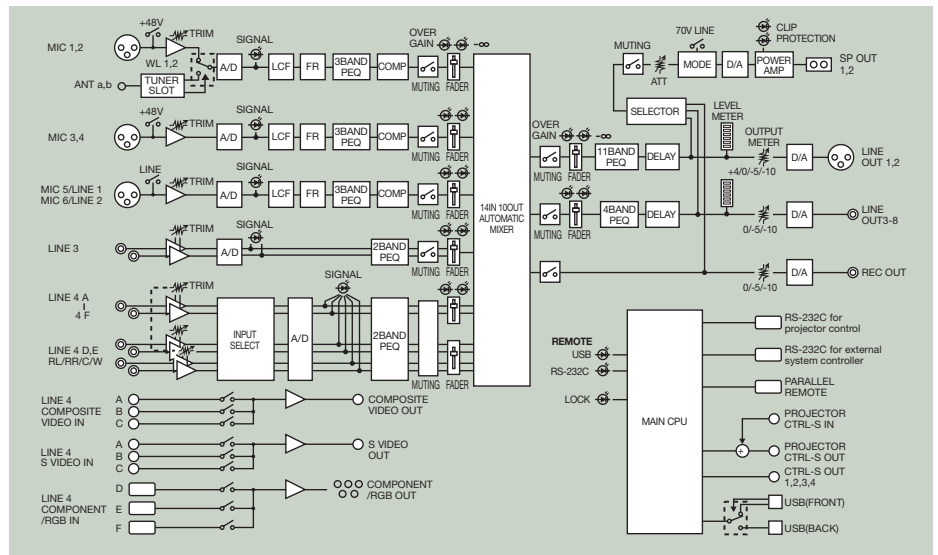
REMOTE CONTROL TERMINAL

RS-232C ports	Connector	Function	
PROJECTOR CONTROL (RS-232C)	D-sub 9-pin x 1, male, inch standard	Input Selection, Power On/Standby (Applicable projectors/PDP monitors: Sony VPL-FX50, VPL-PX21/31/32, PFM-42B1)*1	
RS-232C	D-sub 9-pin x 1, male, inch standard	Full control of SRP-X700P audio and switch functions	
USB ports	Connector	Function	
USB (Front/Rear)	Series B connector x 2	Full control of SRP-X700P audio and switch functions	
Parallel I/O ports	Connector	Function	Type
PARALLEL IN (12-pin)	D-sub 25-pin x 1, female, milli standard	AV Selection(LINE 4), Power On/Off, Scene Recall, Volume, Volume Up/Down, Muting, Remote control of connected products with Control-S	Make-Contact CMOS level, active low
PARALLEL OUT (10-pin)		Output status of Parallel Input Function (Except for status of controlled products with Control-S)	Open collector
Control-S ports	Connector	Function	
OUTPUT 1-4	Mini Jack x 4	Play, Stop, Pause, FF, REW, PREV, NEXT (Applicable AV Products: Sony VHS/ 8mmVTR/BatamaxVTR/DV/CDR/MD equipped with Control-S terminal, DVD by using supplied IR Transmitter)	
PROJECTOR IN	Mini Jack x 1	For the connection of projector remote commander	
PROJECTOR OUT	Mini Jack x 1	Input Selection, Power On/Standby (Applicable projectors: Sony's VPL-PX15/10, PS10, CX11/10)*1*2	

*1 Applicable models are as of April 20002 and may change in the future. When using an external system controller, any type of projector can be controlled.

*2 When controlling a projector with the Control-S port, the projector cannot be switched between RGB and Component input mode.

Block Diagram



Distributed by